

## RECTAL SURGERY

### PROCTOSCOPE/ RECTAL SPECULUM GABRIEL WITH BLACK HANDLE

- 21.001 - SMALL
- 21.002 - MEDIUM
- 21.003 - LARGE
- 21.004 - X-LARGE



### PROCTOSCOPE/ RECTAL SPECULUM GABRIEL, BRIGHT FINISHED

- 21.010 - SMALL
- 21.011 - MEDIUM
- 21.012 - LARGE
- 21.013 - X-LARGE



### PROCTOSCOPE/ RECTAL SPECULUM GRAEME 'U' CUT WITH BLACK HANDLE

- 21.020 - MEDIUM
- 21.021 - LARGE
- 21.022 - X-LARGE



### PROCTOSCOPE/ RECTAL SPECULUM GRAEME 'U' CUT WITH BRIGHT FINISH

- 21.030 - MEDIUM
- 21.031 - LARGE
- 21.032 - X-LARGE



## RECTAL SURGERY

### PROCTOSCOPE/ RECTAL SPECULUM BRIGHT FINISH WITH FIBRE OPTIC ILLUMINATOR

- 21.040 - MEDIUM
- 21.041 - LARGE
- 21.042 - X-LARGE



### IVES FANSLER PROCTOSCOPE

- 21.050 - SMALL
- 21.051 - MEDIUM
- 21.052 - LARGE

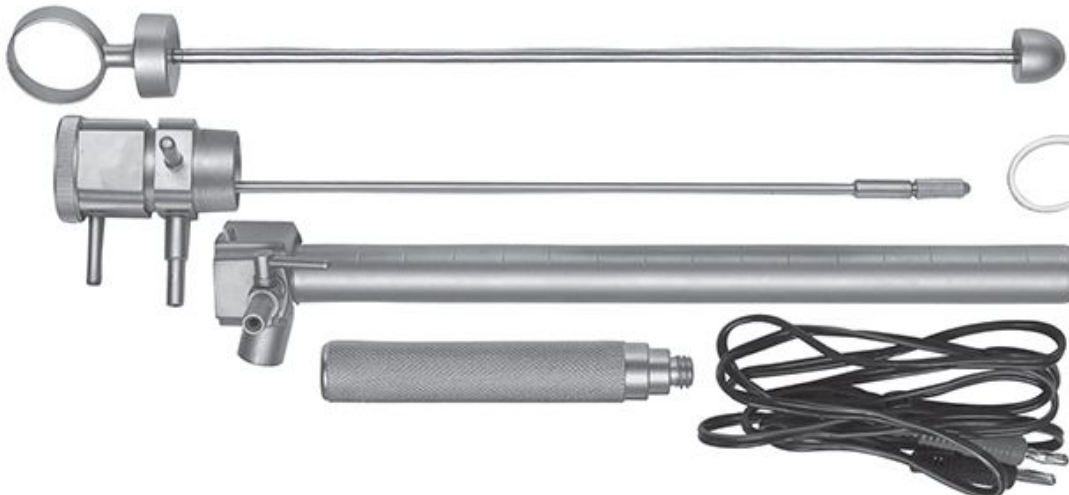


### FIBRE OPTIC CABLE FOR F.O. SIGMOIDOSCOPE

- 21.185

### FIBRE OPTIC LIGHT SOURCE DUAL LAMP

- 21.186 - 150 WATT
- 21.187 - 250 WATT



### SIGMOIDOSCOPE WITH CONVENTIONAL ILLUMINATION

- 21.150 - ADULT
- 21.151 - CHILD
- 21.152 - INFANT

### SIGMOIDOSCOPE WITH FIBRE OPTIC ILLUMINATOR

- 21.100 - ADULT
- 21.101 - CHILD
- 21.102 - INFANT

### CABLE FOR CONVENTIONAL SIGMOIDOSCOPE

- 21.180



### TRANSFORMER FOR CONVENTIONAL SIGMOIDOSCOPE

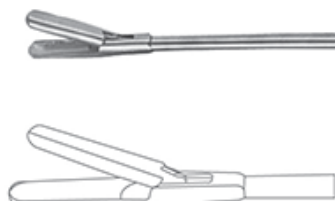
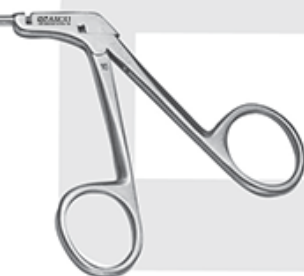
- 21.181

## RECTAL SURGERY



### SIGMOIDOSCOPY BIOPSY FORCEPS, BASKET JAW

21.190 - ADULT  
21.191 - CHILD  
21.192 - INFANT



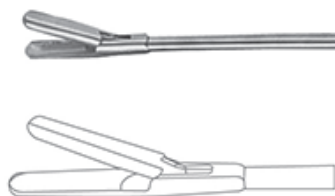
### SIGMOIDOSCOPY BIOPSY FORCEPS, OVAL JAW

21.193 - ADULT  
21.194 - CHILD  
21.195 - INFANT



### SIGMOIDOSCOPY SUCTION CANNULA

21.195 - ADULT  
21.196 - CHILD  
21.197 - INFANT



### RECTAL BIOPSY FORCEPS

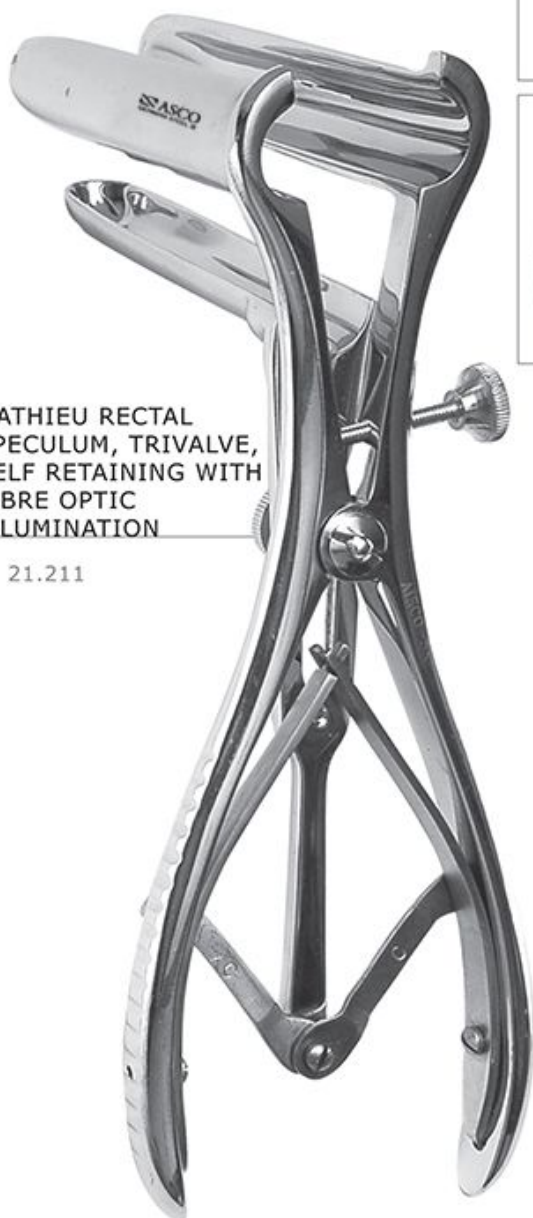
21.200



## RECTAL SURGERY

MATHIEU RECTAL  
SPECULUM, TRIVALVE,  
SELF RETAINING

21.210



MATHIEU RECTAL  
SPECULUM, TRIVALVE,  
SELF RETAINING WITH  
FIBRE OPTIC  
ILLUMINATION

21.211



LOYD DAVIS RECTAL  
OCCLUSION CLAMP

21.400 - 30CM/12"

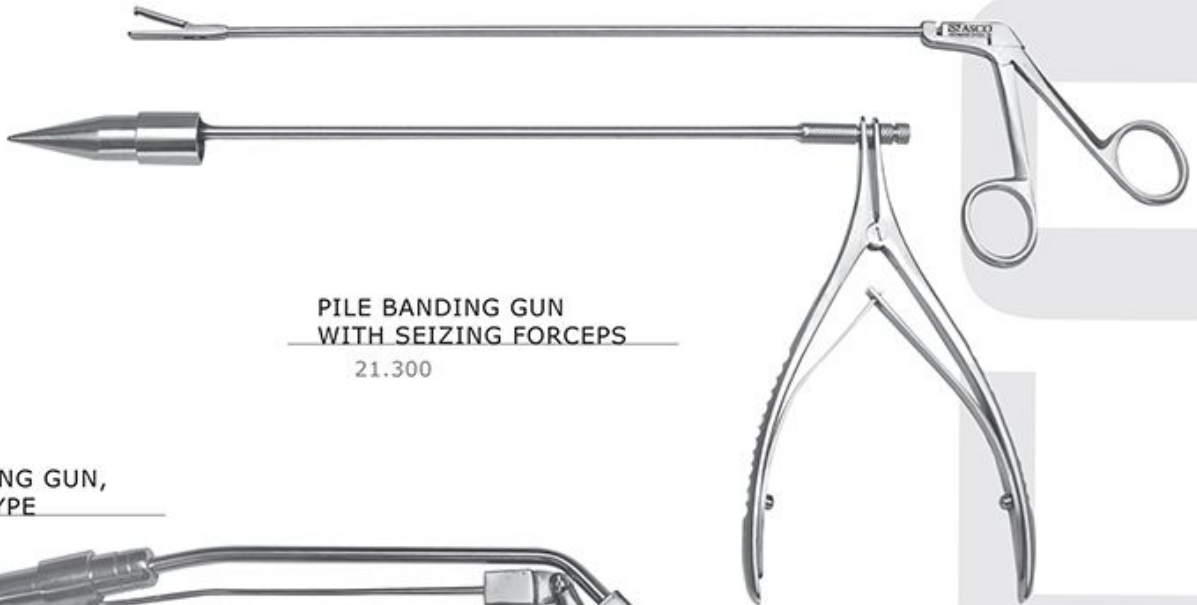


PARK ANAL RETRACTOR

18.140 WITH 3 PAIRS OF  
INTERCHANGABLE BLADES  
SUITABLE FOR ALL AGE GROUPS



## RECTAL SURGERY



PILE BANDING GUN  
WITH SEIZING FORCEPS

21.300

PILE BANDING GUN,  
SUCTION TYPE

21.340



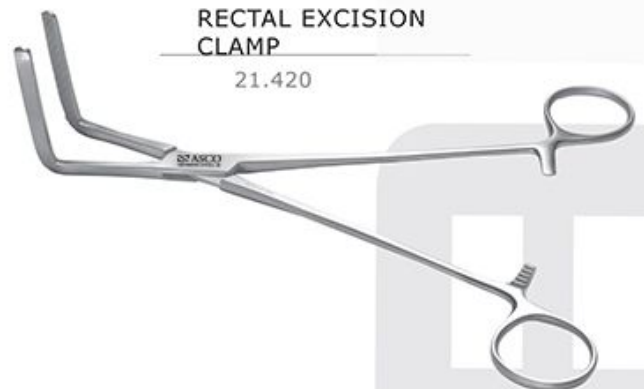
PILE BANDS,  
SKLAR, U.S.A.

21.350



HAYES COLON  
RESECTION CLAMP

21.410



RECTAL EXCISION  
CLAMP

21.420