

## ORTHO / NEURO / SPINE INSTRUMENTS



H.D. PLASTER  
CUTTING SAW  
25.002



EANGLE PLASTER  
CUTTING SAW  
25.003 - SMALL  
25.004 - BIG



H.D. PLASTER  
CUTTING SCISSOR  
25.005

HENNING PLASTER  
SPREADER

25.006 - SMALL HANDLE  
25.007 - LONG HANDLE



PLASTER KNIFE  
25.008



PLASTER  
BENDER  
25.009



## ORTHO / NEURO / SPINE INSTRUMENTS



### K-NAIL EXTRACTOR

- 25.022 - WITH 2 HOOKS
- 25.023 - WITH SLOTTED HAMMER

### NERVE ROOT RETRACTOR ANGLED

25.211



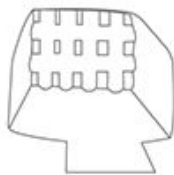
### NERVE ROOT RETRACTOR

25.210 - SET OF 3



### SQUARE NAIL PUNCH

25.015



### DIAMOND POINTED AWL

- 25.025 - STRAIGHT FOR FEMUR  
CANNULATED AWL
- 25.026 - CURVED FOR TIBIA
- 25.027 - HUMERUS
- 25.028 - RADIUS /  
ULNA



### BONE AWL WITH ALUMINIUM HANDLE

25.029



## ORTHO / NEURO / SPINE INSTRUMENTS

### SELF CENTERING FORCEPS (A.O. TYPE)

- 25.030 - 6"
- 25.031 - 8"
- 25.032 - 10"
- 25.033 - 12"



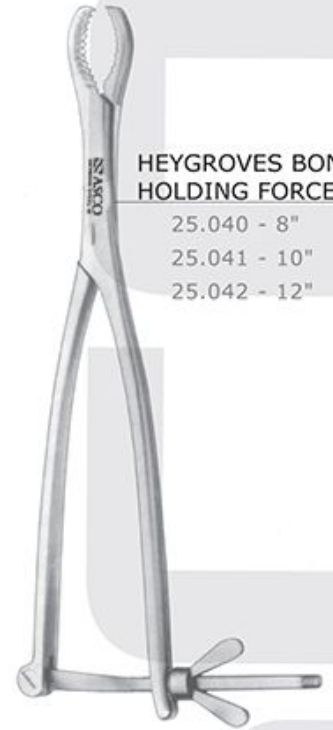
### REDUCTION CLAMP (SERRATED / POINTED)

- 25.065 - 5"
- 25.066 - 6"
- 25.067 - 7"
- 25.068 - 8"
- 25.069 - 9"
- 25.070 - 10"



### HEYGROVES BONE HOLDING FORCEPS

- 25.040 - 8"
- 25.041 - 10"
- 25.042 - 12"



### LANE'S BONE HOLDING FORCEPS

- 25.045 - 8"
- 25.046 - 10"
- 25.047 - 12"



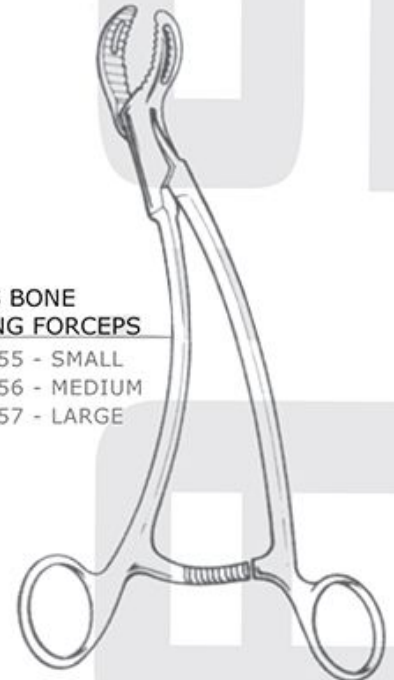
### LION'S BONE HOLDING FORCEPS

- 25.050 - 8"
- 25.051 - 9"
- 25.052 - 10"



### BURN'S BONE HOLDING FORCEPS

- 25.055 - SMALL
- 25.056 - MEDIUM
- 25.057 - LARGE



## ORTHO / NEURO / SPINE INSTRUMENTS



**LOWMAN'S BONE CLAMP**  
(SINGLE JAW/ DOUBLE JAW)

25.060 - 4" / 4 1/2"  
25.061 - 5" / 5 1/2"  
25.062 - 6" / 6 1/2"  
25.063 - 7" / 7 1/2"  
25.064 - 8" / 8 1/2"

**SEQUESTRUM FORCEPS**  
STRAIGHT / CURVED  
25.080



**BONE TAP**  
25.090  
3.5 / 4.5 MM SCREW



**UNIVERSAL BONE DRILL WITH  
CLOSED GEAR CHUCK & KEY**

25.085

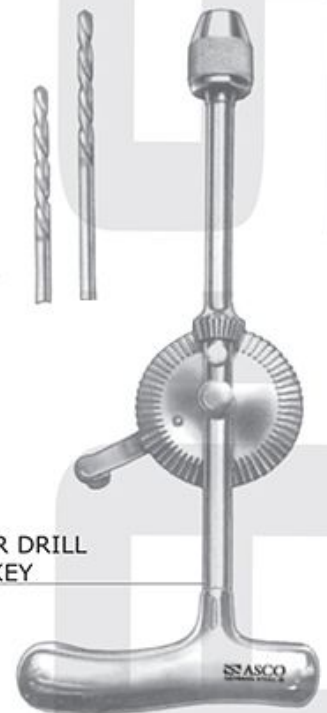


**MICRO HAND DRILL WITH  
CLOSED GEAR CHUCK & KEY**

25.087

**OPEN GEAR DRILL  
CHUCK & KEY**

25.086





## ORTHO / NEURO / SPINE INSTRUMENTS

**BONE NIBBLER  
DOUBLE ACTION,  
STRAIGHT / CURVED**

25.100 - 7 1/2"  
25.103 - 6"  
25.105 - 9"



**BONE NIBBLER  
SINGLE ACTION,  
STRAIGHT / CURVED**

25.110



**PENIBACKER  
RONGEUR**

25.125



**LACKSELL RONGEUR**

25.115



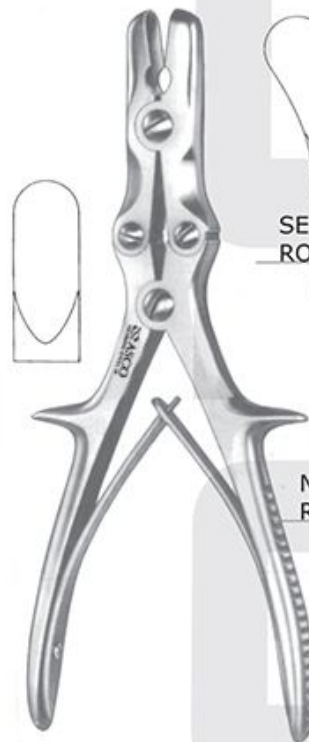
**DUCKBILL  
RONGEUR**

25.117



**SERGEANT  
RONGEUR**

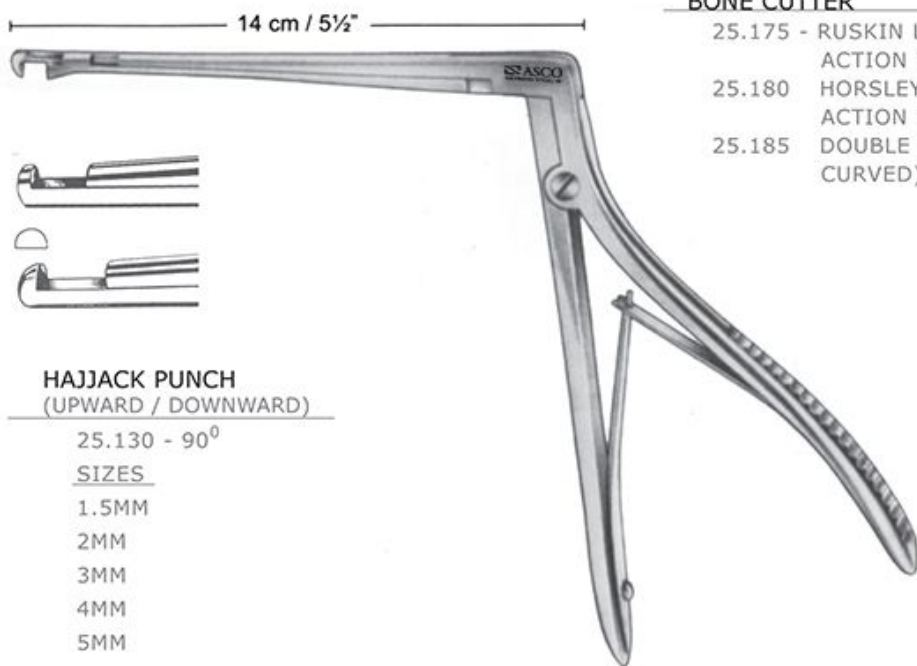
25.123



**NORTHFIELD  
RONGEUR**

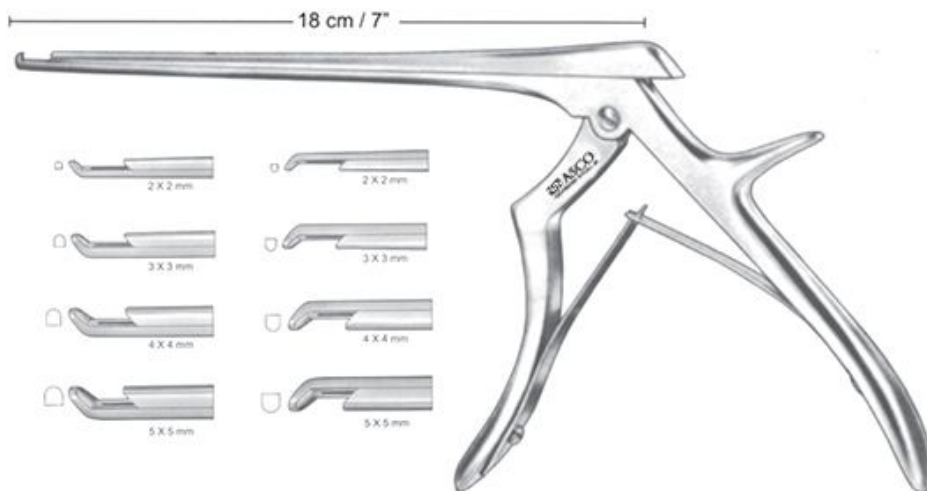
25.121

## ORTHO / NEURO / SPINE INSTRUMENTS

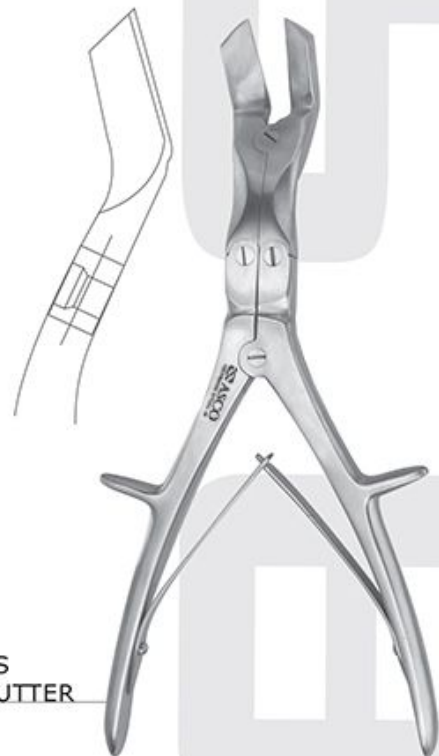


### BONE CUTTER

- 25.175 - RUSKIN LISTON DOUBLE ACTION 7 1/2" ST/CRD
- 25.180 - HORSLEY LISTON DOUBLE ACTION 10 1/2"
- 25.185 - DOUBLE ACTION (STRAIGHT / CURVED) 9"



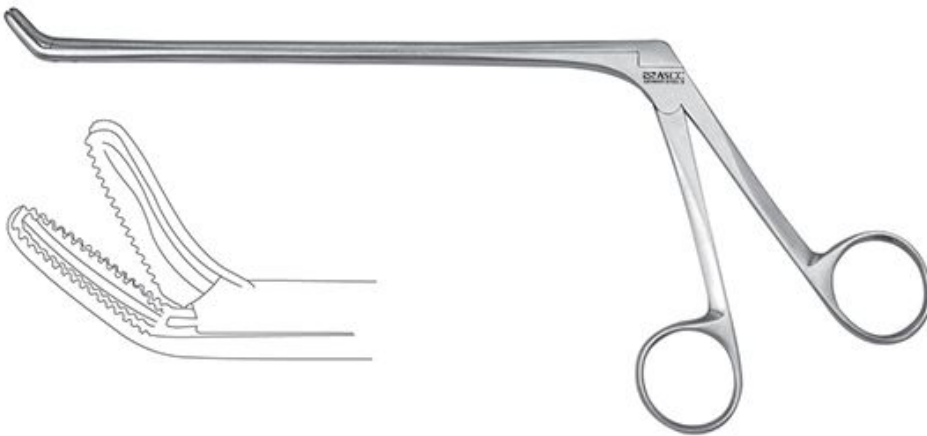
- ### TUDOR EDWARDS LAMINECTOMY CUTTER
- 26.001



## ORTHO / NEURO / SPINE INSTRUMENTS

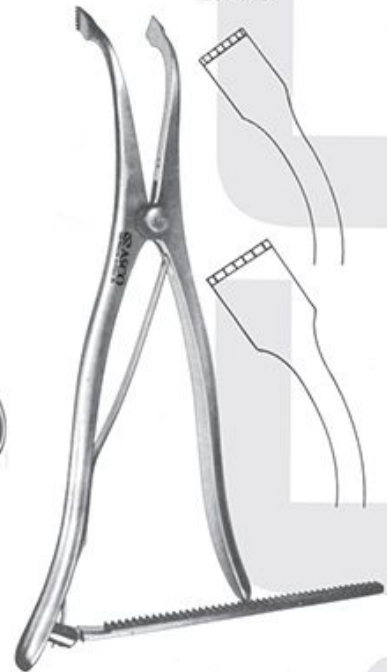
### DISC PUNCH (WITH TEETH)

25.170 STRAIGHT/UP/DOWN  
SIZES: 2MM, 3MM, 4MM, 5MM



### INTERVERTEBRAL DEEP LAMINA SPREADER

25.245



### DISC PUNCH

25.150 STRAIGHT/DOWNWARD/UPWARD  
SIZES: 2MM, 3MM, 4MM, 5MM



### LAMINA SPREADER

25.240



## ORTHO / NEURO / SPINE INSTRUMENTS



**CAPNER GOUGE**  
25.200



**MC'DONALD  
DISSECTOR**  
25.205



**PENFIELD  
DISSECTOR**  
25.206



**DURA ELEVATOR**  
25.207



**BONE SCOOP WITH  
ALUMINIUM HANDLE**

25.215 - LONG  
SIZES: 6MM,8MM,10MM,12MM  
25.216 - SMALL  
SIZES: 4MM,6MM,8MM,10MM



**BONE SCOOP  
DOUBLE ENDED**

25.217 - 13CM/5"  
25.218 - 18CM/7"  
25.219 - 20CM/8"



## ORTHO / NEURO / SPINE INSTRUMENTS



**HEMI-LAMINECTOMY  
RETRACTOR**

25-230  
25-235  
WITH FALL-UP  
BLADES



**GELPI RETRACTOR**

18.130 - 13CM/5"  
18.135 - 18CM/7"



**HALFMOON  
PERIOSTEUM ELEVATOR**

25.275



**FARABEU F PERIOSTEUM  
ELEVATOR**

25.265 - STRAIGHT/  
CURVED



**PERIOSTEUM ELEVATOR  
WITH THUMB REST**

25.280



**BRISTOW'S  
PERIOSTEUM ELEVATOR**

25.270

## ORTHO / NEURO / SPINE INSTRUMENTS



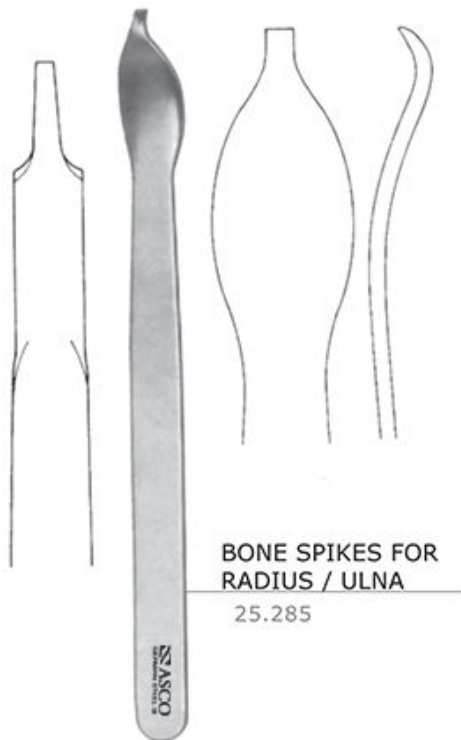
COBBS SPINAL ELEVATOR  
25.260



BONE LEVER  
(LANE'S TYPE)  
25.305 - SERRATED



BONE LEVER  
(LANE'S TYPE)  
25.300 - PLAIN



BONE SPIKES FOR  
RADIUS / ULNA  
25.285



HOHMAN'S  
BONE SPIKES  
FOR RADIUS / ULNA  
25.290



FINGER SAW  
25.450

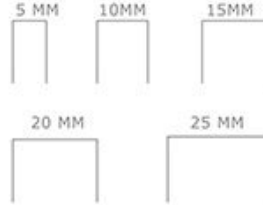
## ORTHO / NEURO / SPINE INSTRUMENTS



5 MM, 10MM, 15 MM,  
20 MM, 25 MM

**CHISEL WITH  
FIBRE HANDLE  
(STRAIGHT / CURVED)**

25.390



**OSTEOTOME WITH  
FIBRE HANDLE  
(STRAIGHT / CURVED)**

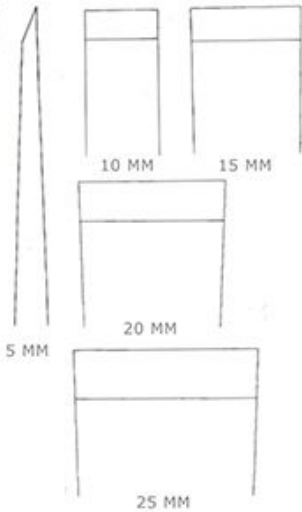
25.370



**GOUGES WITH  
FIBRE HANDLE  
(STRAIGHT / CURVED)**

25.410

5 MM, 10MM, 15 MM,  
20 MM, 25 MM



**CHISEL S.P. TYPE / STILLIE  
TYPE WITH S.S. HANDLE  
(STRAIGHT / CURVED)**

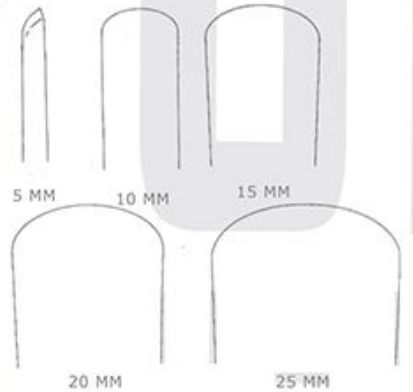
25.315



5 MM, 10MM, 15 MM,  
20 MM, 25 MM

**OSTEOTOME S.P. TYPE /  
STILLIE TYPE  
WITH S.S. HANDLE**

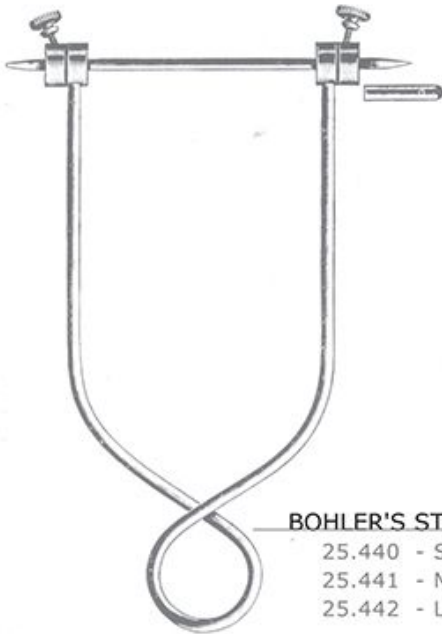
25.350



**GOUGES S.P. TYPE / STILLIE  
TYPE WITH S.S. HANDLE  
(STRAIGHT / CURVED)**

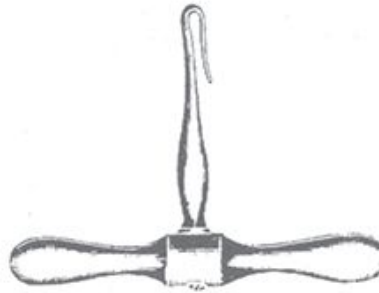
25.330

## ORTHO / NEURO / SPINE INSTRUMENTS



**BOHLER'S STIRRUP**

25.440 - SMALL  
25.441 - MEDIUM  
25.442 - LARGE



**GIGLI SAW HANDLE**

25.526



**GIGLI SAW WIRE**

25.525



**HAMMER WITH  
FIBRE HANDLE**

25.434 - 1/2 LBS  
25.435 - 1 LBS  
25.436 - 2 LBS



**HAMMER WITH  
S.S. HANDLE**

25.430 - 1/2 LBS  
25.431 - 1 LBS  
25.432 - 2 LBS



**GIGLI SAW GUIDE**

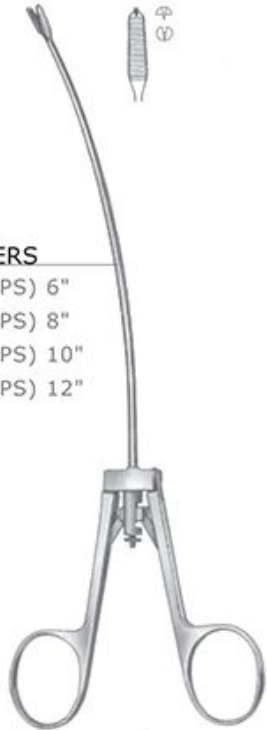
25.527



## ORTHO / NEURO / SPINE INSTRUMENTS

### TENDON TUNNELLERS

- 25.530 - (FORCEPS) 6"
- 25.531 - (FORCEPS) 8"
- 25.532 - (FORCEPS) 10"
- 25.533 - (FORCEPS) 12"

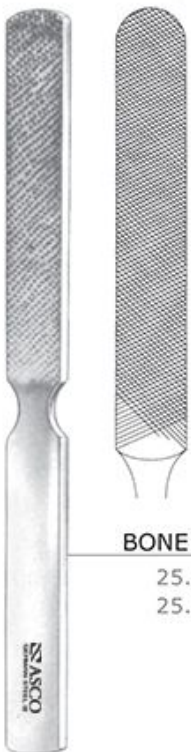


GONIOMETER S.S.  
25.590



### ESMARCH BANDAGES (RUBBER)

- 25.540 - 2" WIDTH
- 25.541 - 3" WIDTH
- 25.542 - 4" WIDTH
- 25.543 - 6" WIDTH



### BONE FILE

- 25.595 - 6"
- 25.596 - 8"



HUDSON BRACE WITH 3 BURRS  
& 3 PERFORATORS  
25.500



### EXTENSION HANDLE FOR HUDSON BRACE

25.520

## ORTHO / NEURO / SPINE INSTRUMENTS

### CRUTCH FIELD TONG

- 25.560 - SMALL
- 25.561 - MEDIUM
- 25.562 - LARGE



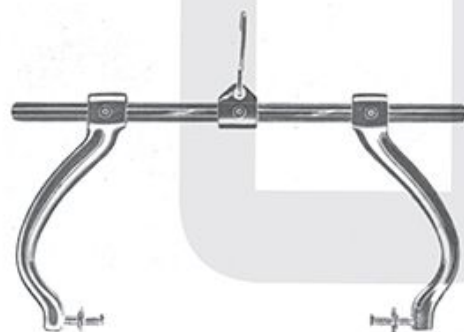
### GARDNER WELL'S TRACTION

25.570



### BLACK BURN SKULL TRACTION

25.580



### LEYLA RETRACTOR & SPATULLA

25.600