

## GYNAECOLOGICAL INSTRUMENTS



### SIMS VAGINAL SPECULUM

- 22.001 - SMALL
- 22.002 - MEDIUM
- 22.003 - LARGE
- 22.004 - X-LARGE



### KIRSTELLER/ SIMS SINGLE ENDED VAGINAL SPECULUM

- 22.010 - SMALL
- 22.011 - MEDIUM
- 22.012 - LARGE1



### GREAVES SPECULUM

- 22.035 - Small
- 22.035 - Medium
- 22.035 - Large



### CUSCOS VAGINAL SPECULUM

- 22.020 - SMALL
- 22.021 - MEDIUM
- 22.022 - LARGE
- 22.023 - X-LARGE



### CUSCOS VAGINAL SPECULUM, NARROW

- 22.030 - SMALL
- 22.031 - MEDIUM
- 22.032 - LARGE

## GYNAECOLOGICAL INSTRUMENTS

AUVARDS WEIGHTED  
SELF RETAINING  
VAGINAL SPECULLUM

22.050



JAYLES SELF RETAINING  
LATERAL VAGINAL  
WALL RETRACTOR

22.060



INSULATED LATERAL  
VAGINAL RETRACTOR

22-610

## GYNAECOLOGICAL INSTRUMENTS

### UTERINE CURETTE DOUBLE ENDED, SHARP/BLUNT

- 22.110 - EXTRA SMALL
- 22.111 - SMALL
- 22.112 - MEDIUM
- 22.113 - LARGE
- 22.114 - EXTRA LARGE



### UTERINE CURETTE SINGLE ENDED, SHARP

- 22.120 - EXTRA SMALL
- 22.121 - SMALL
- 22.122 - MEDIUM
- 22.123 - LARGE
- 22.124 - EXTRA LARGE



### M.T.P. CANNULA WITH OPEN TOP END, KHANDWALA MODIFICATION

- |              |               |
|--------------|---------------|
| 22.170 - 4MM | 22.175 - 9MM  |
| 22.171 - 5MM | 22.176 - 10MM |
| 22.172 - 6MM | 22.177 - 11MM |
| 22.173 - 7MM | 22.178 - 12MM |
| 22.174 - 8MM |               |

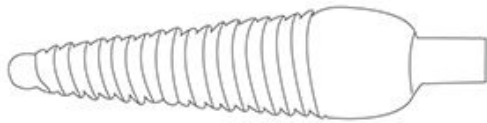


### M.T.P. CANNULA

- |              |               |
|--------------|---------------|
| 22.160 - 4MM | 22.165 - 9MM  |
| 22.161 - 5MM | 22.166 - 10MM |
| 22.162 - 6MM | 22.167 - 11MM |
| 22.163 - 7MM | 22.168 - 12MM |
| 22.164 - 8MM |               |



## GYNAECOLOGICAL INSTRUMENTS

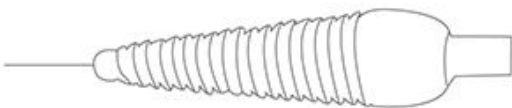


**LEECH WILKINSON  
UTERINE CANNULA**

22.140 - SMALL

22.141 - MEDIUM

22.142 - LARGE

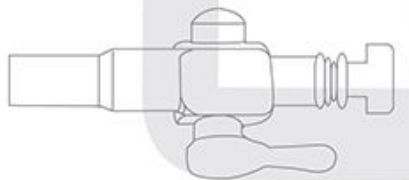


**LEECH WILKINSON UTERINE  
CANNULA WITH STOPCOCK**

22.150 - SMALL

22.151 - MEDIUM

22.152 - LARGE



**FLUSHING CURRETTE**

22.180 - SMALL

22.181 - MEDIUM

22.182 - LARGE



**R.T. CANNULA WITH  
RUBBER CONE**

22.185





## GYNAECOLOGICAL INSTRUMENTS

### TENNACULUM FORCEPS CURVED TIP

22.241 - 20CM/8"

22.243 - 25CM/10"



### TENNACULUM FORCEPS STRAIGHT TIP

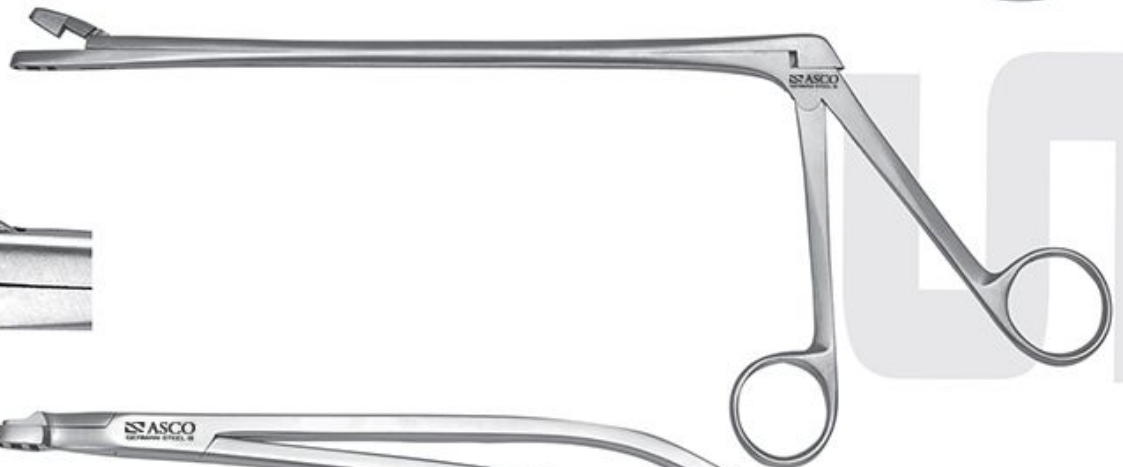
22.240 - 20CM/8"

22.242 - 25CM/10"



### CERVICAL BIOPSY FORCEP, LEECH WILKINSON

22.201



### CERVICAL BIOPSY FORCEP, SHUBERTS

22.200

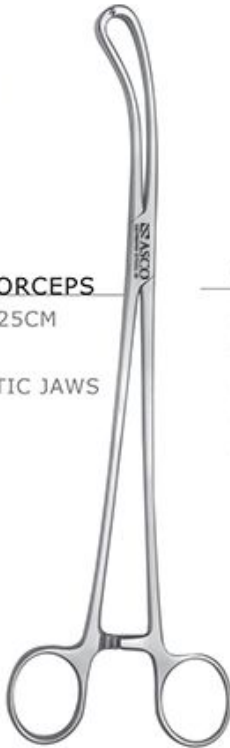


## GYNAECOLOGICAL INSTRUMENTS



### VULSULLUM FORCEPS

22.225 - 10"/25CM  
WITH  
NON-TRAUMATIC JAWS



### VULSULLUM FORCEPS

22.210 - 20CM/8" 4x5 SMALL TEETH  
22.211 - 20CM/8" 2x3 BIG TEETH  
22.220 - 25CM/10" 5x6 SMALL TEETH  
22.221 - 25CM/10" 2x3 SMALL TEETH  
22.222 - 25CM/10" 2x3 BIG TEETH



### SELF RETAINING UTERINE CANNULA WITH VULSULLUM ATTACHMENT

22.190



### BOZEMANN UTERINE DRESSING FORCEP

22.235 - 25CM/10"



### UTERUS HOLDING FORCEP

22.230 - SHIRODKARS  
22.231 - SMALL WITH  
NEEDLE ATTACHMENT  
22.232 - SOMER



## GYNAECOLOGICAL INSTRUMENTS

**GREEN ARMYTAGE  
FORCEPS**

22.250 - 20CM/8"



**GREEN ARMYTAGE  
FORCEPS ANGLED**

22.251 - 20CM/8"



**BONNEY MYOMETOMY  
CLAMP**

22.280



**FEMALE METAL  
CATHETER, AISCO**

22.188



**OVUM FORCEPS  
CURVED CUP**

22.270 - 10"/25CM, SMALL

22.271 - 10"/25CM, MEDIUM

22.272 - 10"/25CM, LARGE



**OVUM FORCEPS  
STRAIGHT CUP**

22.260 - 10"/25CM, SMALL

22.261 - 10"/25CM, MEDIUM

22.262 - 10"/25CM, LARGE



## GYNAECOLOGICAL INSTRUMENTS



### HYSTERECTOMY CLAMPS, ATRAUGRIP JAWS

- 22.400 - 20CM/8", STRAIGHT
- 22.402 - 23CM/9", STRAIGHT
- 22.401 - 20CM/8", CURVED
- 22.403 - 23CM/9", CURVED

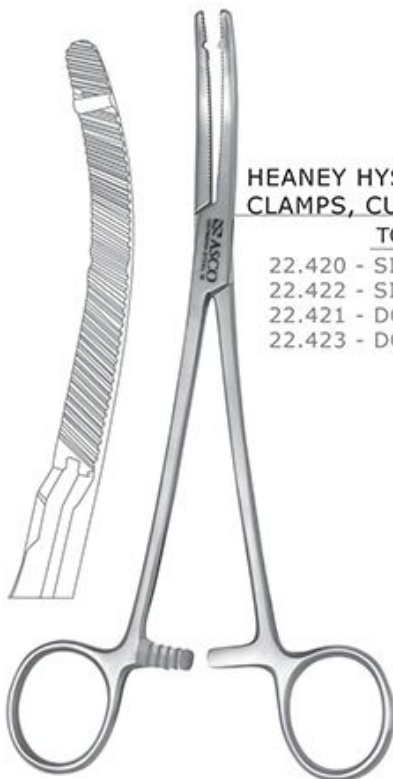
### MODIFIED HYSTERECTOMY CLAMP WITH LONGITUDINAL & HORIZONTAL SERRATIONS,

- 22.440 - 23CM/9", STRAIGHT
- 22.441 - 23CM/9", CURVED



### MAINGOT HYSTERECTOMY CLAMPS

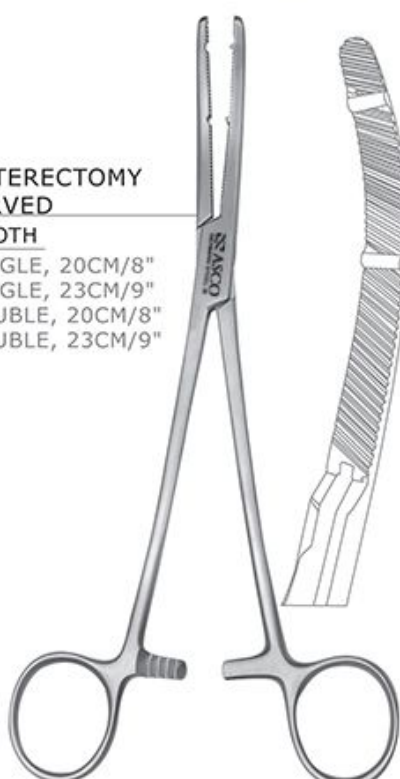
- 22.430 - 20CM/8", STRAIGHT
- 22.431 - 20CM/8", CURVED



### HEANEY HYSTERECTOMY CLAMPS, CURVED

#### TOOTH

- 22.420 - SINGLE, 20CM/8"
- 22.422 - SINGLE, 23CM/9"
- 22.421 - DOUBLE, 20CM/8"
- 22.423 - DOUBLE, 23CM/9"



### GWILLIAN HYSTERECTOMY CLAMP, LONGITUDINAL SERRATIONS

- 22.410 - 20CM/8", STRAIGHT
- 22.411 - 20CM/8", CURVED





## GYNAECOLOGICAL INSTRUMENTS



**JOLLS THYROID  
RETRACTOR**  
18.400



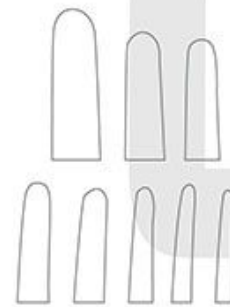
**HAEGERS CERVICAL DILATORS,**  
22.300 - DOUBLE ENDED,  
1/2MM GRADUATED (SET OF 10PCS)  
22.310 - DOUBLE ENDED,  
1MM GRADUATED (SET OF 8PCS)  
22.320 - SINGLE ENDED,  
1/2MM GRADUATED (SET OF 20PCS)



**PURANDARE CERVICAL  
DILATOR WITH GUARD**  
22.340 (SET OF 5PCS)



**PRETTS CERVICAL  
DILATOR**  
22.350  
(SET OF 10PCS)



**HAWKIN AMBLER  
CERVICAL DILATOR**  
22.360 (SET OF 9PCS)



## GYNAECOLOGICAL INSTRUMENTS



WRIGLEY OBSTETRIC  
FORCEPS, CURVED  
22.500



SIMPSON OBSTETRIC  
FORCEPS, STRAIGHT  
22.501



KIELLAND OBSTETRIC  
FORCEPS  
22.502 - LONG PATTERN



HAIG FERGUSON  
FORCEPS WITH  
AXIS TRACTION  
22.507



BARNES OBSTETRIC  
FORCEPS  
22.505

## GYNAECOLOGICAL INSTRUMENTS



**SONAWALA WEIGHTED  
SELF RETAINING VAGINAL  
SPECULUM**  
22.040



**MARTIN PELVIMETER**  
22.520

**ENDOMETRIAL  
BIOPSY CURRETTE**

- 22.130 - FINE SERRATED
- 22.131 - COARSE SERRATED



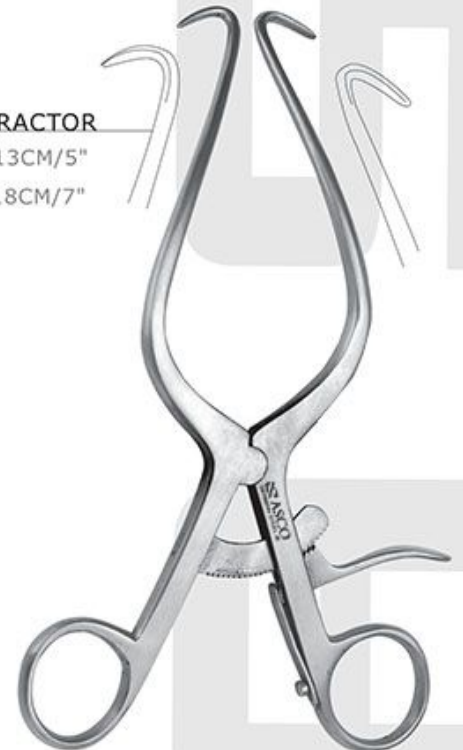
**DOYENS MYOMA SCREW  
ON RING HANDLE**  
22.285 - SMALL  
22.286 - BIG



**DOYENS MYOMA  
SCREW ON T HANDLE**  
22.287 - SMALL  
22.288 - BIG

**GELPI RETRACTOR**

- 18.130 - 13CM/5"
- 18.135 - 18CM/7"



## GYNAECOLOGICAL INSTRUMENTS



INSULATED SWAB  
HOLDING FORCEP  
22-660



INSULATED  
GRASPING FORCEP  
22-650



INSULATED  
TONNACULUM FORCEP  
22-670



INSULATED  
RETRACTORS  
22-631 - Single Prong  
22-632 - Two Prong  
22-633 - Three Prong



CUTTING LOOP  
FOR CAUTERY  
22-620 - Oval  
22-621 - Square

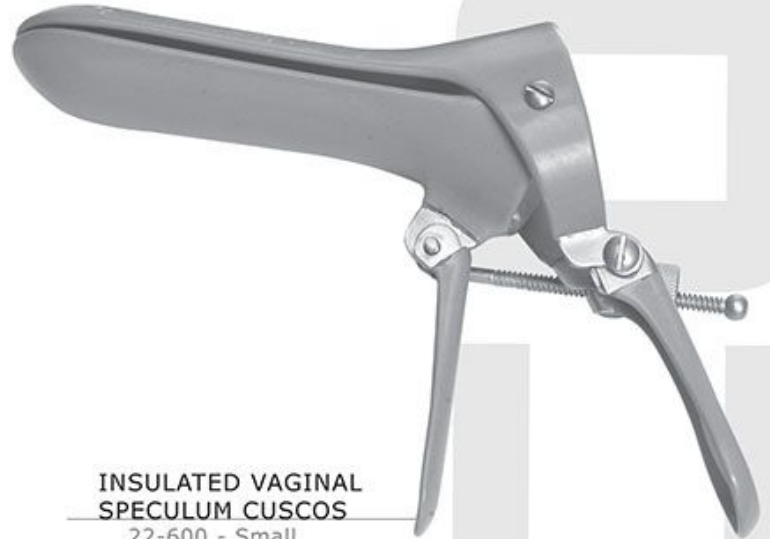


## GYNAECOLOGICAL INSTRUMENTS



INSULATED VAGINAL  
SPECULUM GREAVES

22-605 - Small  
22-606 - Medium  
22-607 - Large



INSULATED VAGINAL  
SPECULUM CUSCUS

22-600 - Small  
22-601 - Medium  
22-602 - Large



INSULATED ENDOCERVICAL  
SPECULUM

22-615



UTERINE SOUND

22.100

UTERINE SOUND  
MALLEABLE

22.101



ANTERIOR VAGINAL  
WALL RETRACTOR

22.070



## GYNAECOLOGICAL INSTRUMENTS



UTERINE MANIPULATOR,  
WITH CUP & FLUSHING/  
INJECTING ARRANGEMENT

22.703



OVUM CRUSHING  
FORCEP

22.710



UTERINE  
MANIPULATOR,  
ON HANDLE

22.702

UTERINE MANIPULATOR,  
RING HANDLE

22.701



UTERINE MANIPULATOR,  
RING HANDLE,  
DOUBLE ACTION

22.700



## GYNAECOLOGICAL INSTRUMENTS

UTERINE ELEVATOR,  
WITH CANNULA

22.715



UTERINE ELEVATOR,  
VITTOONS

22.716



ENDOCERVICAL  
SPECULUM

22.720



LATERAL VAGINAL  
RETRACTOR

22.721

